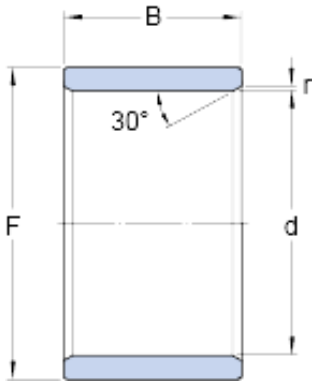




TON BEARING CO.,LTD.



skf LR 8x12x10.5 Needle roller bearing
components inner rings

Bearing No. LR 8x12x10.5

d	8 mm
F	12 mm
B	10.5 mm
r, r _{1,2} min.	0.3 mm
Mass inner ring	0.005 kg

LR 8x12x10.5 Bearing 2D drawings and 3D CAD models