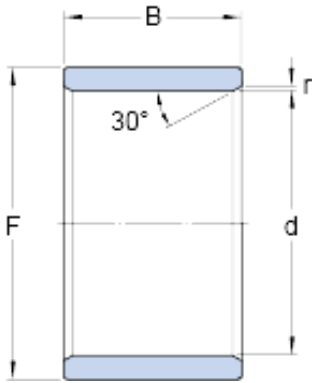




# TON BEARING CO.,LTD.



skf LR 20x25x26.5 Needle roller bearing  
components inner rings

Bearing No. LR 20x25x26.5

d	20 mm
F	25 mm
B	26.5 mm
r, r <sub>1,2</sub> min.	0.3 mm
Mass inner ring	0.038 kg

LR 20x25x26.5 Bearing 2D drawings and 3D CAD  
models