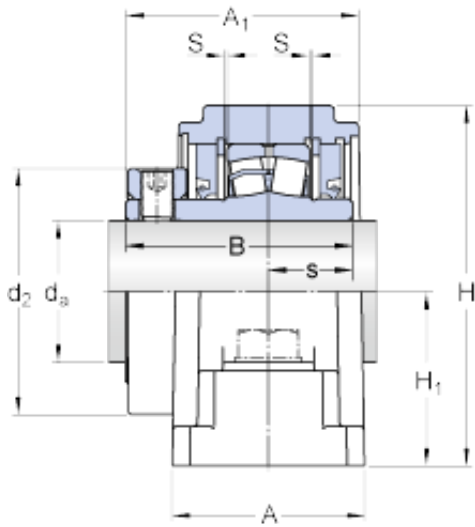




TON BEARING CO.,LTD.



SYE 2 3/4-3 Bearing 2D drawings and 3D CAD models

skf SYE 2 3/4-3 Roller bearing pillow block units for inch shafts

Bearing No. SYE 2 3/4-3

Size	69.85x111.125x76.2 mm
Bore Diameter	69,85 mm
Outer Diameter	111,125 mm
Width	76,2 mm
d_a	69.85 mm
d_2	111.125 mm
A	76.2 mm
A_1	99.219 mm
B	92.075 mm
H	160.338 mm
H_1	79.375 mm
H_2	47.625 mm
L	304.8 mm
J - max.	247.65 mm
J - min.	234.95 mm
s	31.75 mm
S	0.794 mm
Basic dynamic load rating - C	158 kN
Limiting speed	950 r/min
d_a	69.85 mm
d_2	111.125 mm
A_1	99.219 mm
H_1	79.375 mm
H_2	47.625 mm



TON BEARING CO.,LTD.

J max.	247.65 mm
J min.	234.95 mm
Basic dynamic load rating C	158 kN
Mass bearing unit	11.3 kg
Attachment bolt diameter G	19.05 mm