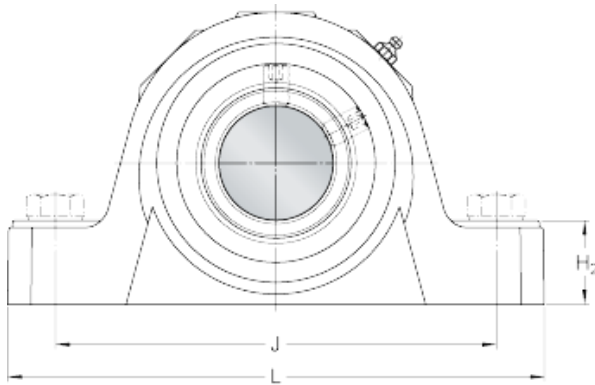




# TON BEARING CO.,LTD.

## skf FSYE 2 3/4-18 Roller bearing pillow block units for inch shafts



Bearing No. FSYE 2 3/4-18

$d_a$	69.85 mm
$d_2$	111.125 mm
A	101.6 mm
$A_1$	111.919 mm
B	92.075 mm
H	160.338 mm
$H_1$	79.375 mm
$H_2$	47.625 mm
L	304.8 mm
J max.	257.175 mm
J min.	231.775 mm
$J_1$	53.975 mm
s	31.75 mm
S	0.794 mm
Basic dynamic load rating C	158 kN
Limiting speed	3400 r/min
Mass bearing unit	11.6 kg
Attachment bolt diameter G	15.875 mm

FSYE 2 3/4-18 Bearing 2D drawings and 3D CAD models