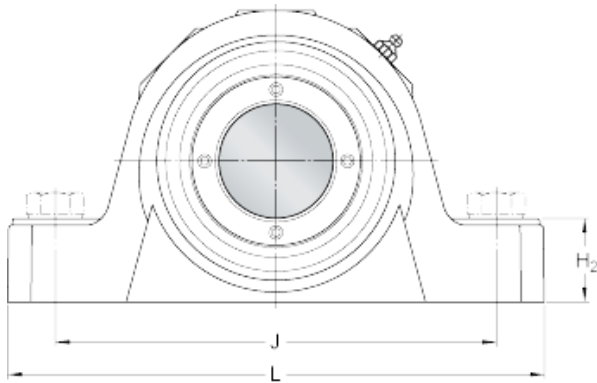




TON BEARING CO.,LTD.

skf FSYE 2 1/2 N-118 Roller bearing pillow block units for inch shafts



Bearing No. FSYE 2 1/2 N-118

d_a	63.5 mm
A	88.9 mm
B	65.484 mm
H	144.463 mm
H_1	69.85 mm
H_2	41.275 mm
L	266.7 mm
J max.	225.425 mm
J min.	209.55 mm
J_1	47.625 mm
s	32.941 mm
S	0.794 mm
Basic dynamic load rating C	193 kN
Limiting speed	3800 r/min
Mass bearing unit	8.62 kg
Attachment bolt diameter G	15.875 mm

FSYE 2 1/2 N-118 Bearing 2D drawings and 3D CAD models