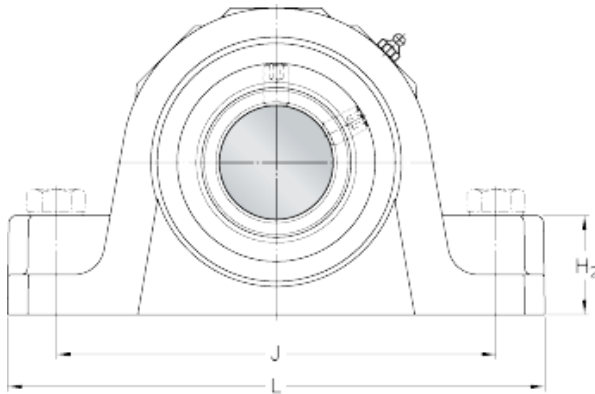




# TON BEARING CO.,LTD.

skf SYR 3 11/16-18 Roller bearing pillow block units for inch shafts



Bearing No. SYR 3 11/16-18

$d_a$	93.662 mm
$d_2$	152.4 mm
A	89.694 mm
$A_1$	121.047 mm
B	116.681 mm
H	213.519 mm
$H_1$	104.775 mm
$H_2$	63.5 mm
L	361.95 mm
J max.	311.15 mm
J min.	254 mm
s	41.275 mm
S	0.794 mm
Basic dynamic load rating C	311 kN
Limiting speed	2200 r/min
Mass bearing unit	20.2 kg
Attachment bolt diameter G	25.4 mm

SYR 3 11/16-18 Bearing 2D drawings and 3D CAD models