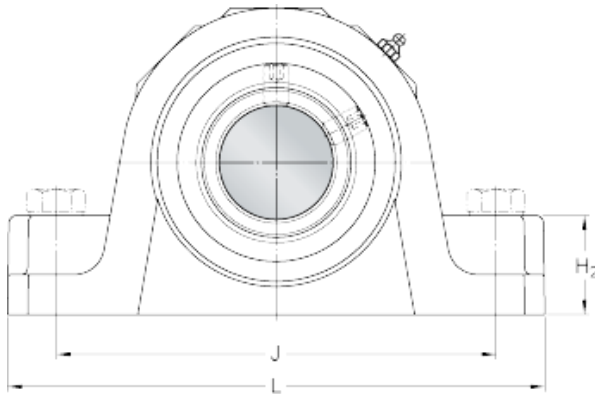




TON BEARING CO.,LTD.

skf SYR 2-18 Roller bearing pillow block units
for inch shafts



Bearing No. SYR 2-18

d_a	50.8 mm
d_2	73.819 mm
A	58.737 mm
A_1	77.787 mm
B	73.025 mm
H	117.872 mm
H_1	57.15 mm
H_2	34.925 mm
L	212.725 mm
J max.	174.625 mm
J min.	150.813 mm
s	25.4 mm
S	0.794 mm
Basic dynamic load rating C	84.5 kN
Limiting speed	5000 r/min
Mass bearing unit	4.13 kg
Attachment bolt diameter G	15.875 mm

SYR 2-18 Bearing 2D drawings and 3D CAD models