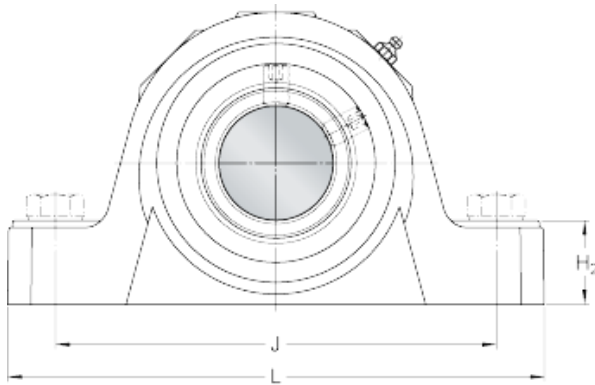




TON BEARING CO.,LTD.

skf FSYE 2 7/16 Roller bearing pillow block units
for inch shafts



Bearing No. FSYE 2 7/16

d _a	61.913 mm
d ₂	101.6 mm
A	88.9 mm
A ₁	99.219 mm
B	85.725 mm
H	144.463 mm
H ₁	69.85 mm
H ₂	41.275 mm
L	266.7 mm
J max.	225.425 mm
J min.	209.55 mm
J ₁	47.625 mm
s	31.75 mm
S	0.794 mm
Basic dynamic load rating C	147 kN
Limiting speed	3100 r/min
Mass bearing unit	8.62 kg
Attachment bolt diameter G	15.875 mm

FSYE 2 7/16 Bearing 2D drawings and 3D CAD models