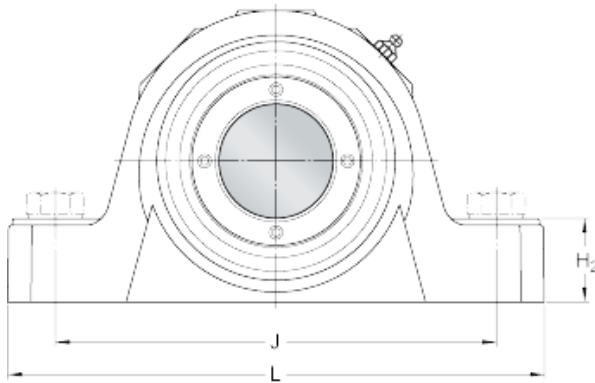




# TON BEARING CO.,LTD.

skf FSYE 2 7/16 N Roller bearing pillow block units for inch shafts



Bearing No. FSYE 2 7/16 N

$d_a$	61.913 mm
A	88.9 mm
B	65.484 mm
H	144.463 mm
$H_1$	69.85 mm
$H_2$	41.275 mm
L	266.7 mm
J max.	225.425 mm
J min.	209.55 mm
$J_1$	47.625 mm
s	32.941 mm
S	0.794 mm
Basic dynamic load rating C	193 kN
Limiting speed	3100 r/min
Mass bearing unit	8.62 kg
Attachment bolt diameter G	15.875 mm

FSYE 2 7/16 N Bearing 2D drawings and 3D CAD models